

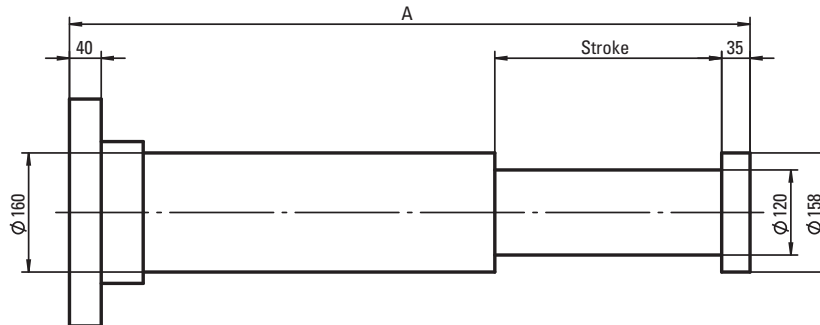
# Buffer Type BP 125

Dimensions and technical data

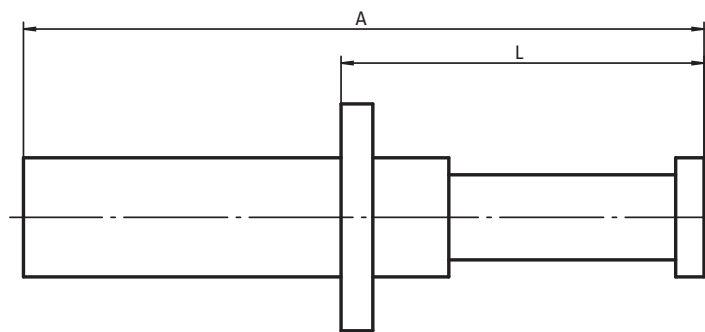


Rev. 05-14

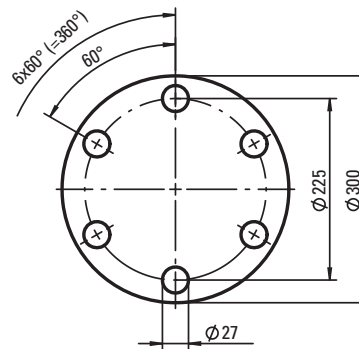
Type E



Type F



Flange:



E = Back mounted  
F = Front mounted

All dimensions in mm  
Alterations reserved without notice

Stroke mm	Energy / Stroke E / F kJ (kJ)	* Max. damping force E / F kN	Inward force kN	Weight E / F kg	** Perm. angular dev. in degree	E / F A mm	F L mm
100	71	780	34,8	64	4,4	540	375
200	142			82	2,2	820	475
300	213			100	1,5	1100	575
400	284			118	1,1	1380	675
500	355			136	0,9	1660	775
600	425			154	0,8	1940	875
700	496			171	0,8	2220	975
800	564			189	0,8	2500	1075
900	629			207	0,8	2780	1175
1000	691			225	0,8	3060	1275

Intermediate strokes are available on request!

\* For strokes > 350 mm: the damping force is initially lower than the maximum value.

\*\* Relating to the max. permissible damping force