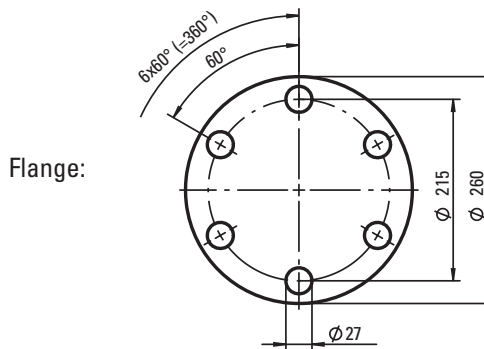
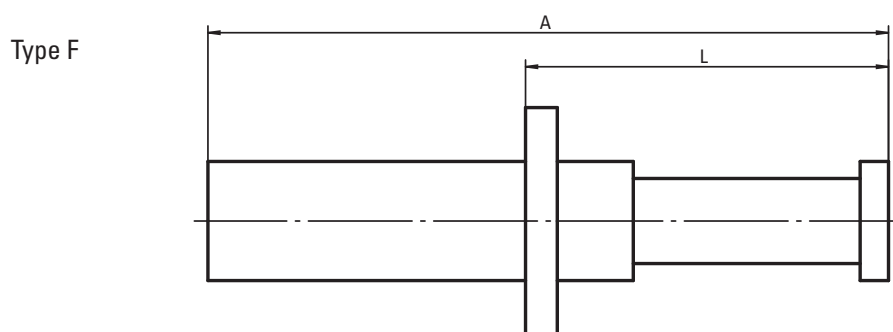
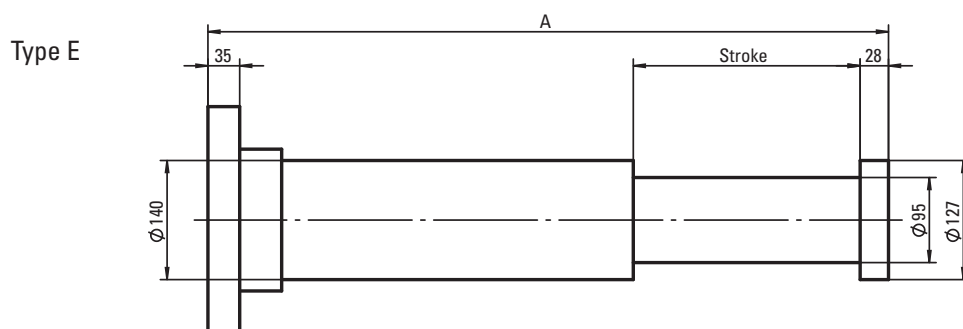


# Buffer Type BP 100

Dimensions and technical data



Rev. 05-14



E = Back mounted  
F = Front mounted

All dimensions in mm  
Alterations reserved without notice

Stroke mm	Energy / Stroke E / F kJm (kJ)	* Max. damping force E / F kN	Inward force kN	Weight E / F kg	** Perm. angular dev. in degree	E / F A mm	F L mm
100	45	500	22,3	46	2,5	504	340
200	91			60	1,3	780	440
300	136			74	0,9	1056	540
400	182			89	0,8	1332	640
500	225			103	0,8	1608	740
600	267			118	0,8	1884	840
700	306			132	0,8	2160	940
800	343			146	0,8	2436	1040
900	377			161	0,8	2712	1140
1000	409			175	0,8	2988	1240
1200	467			205	0,8	3280	1440

Intermediate strokes are available on request!

\* For strokes > 350 mm: the damping force is initially lower than the maximum value.

\*\* Relating to the max. permissible damping force