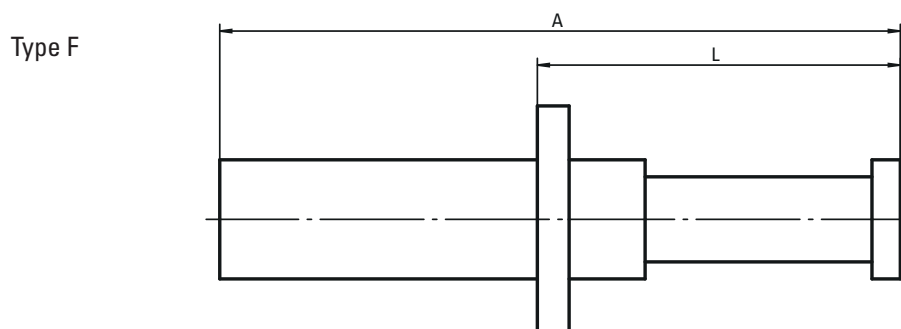
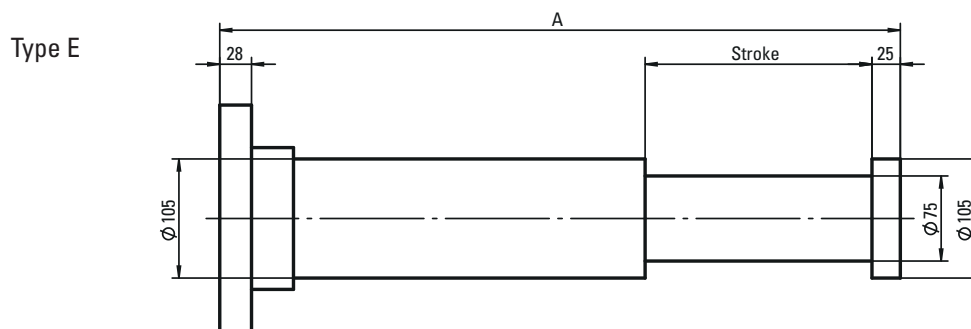


Buffer Type BP 80

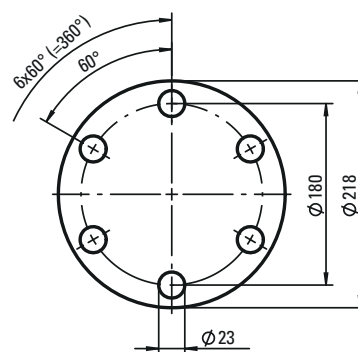
Dimensions and technical data



Rev. 05-14



Flange:



E = Back mounted
F = Front mounted

All dimensions in mm
Alterations reserved without notice

Stroke mm	Energy / Stroke E / F kJNm (kJ)	* Max. damping force E / F kN	Inward force kN	Weight E / F kg	** Perm. angular dev. in degree	E / F A mm	F L mm
100	26	290	14,25	24	2,9	477	305
200	53			30	1,5	754	405
300	79			36	1,0	1031	505
400	105			45	0,8	1308	605
500	131			53	0,8	1585	705
600	155			62	0,8	1862	805
700	177			69	0,8	2139	905
800	197			77	0,8	2416	1005
900	215			85	0,8	2693	1105
1000	231			93	0,8	2970	1205

Intermediate strokes are available on request!

* For strokes > 350 mm: the damping force is initially lower than the maximum value.

** Relating to the max. permissible damping force