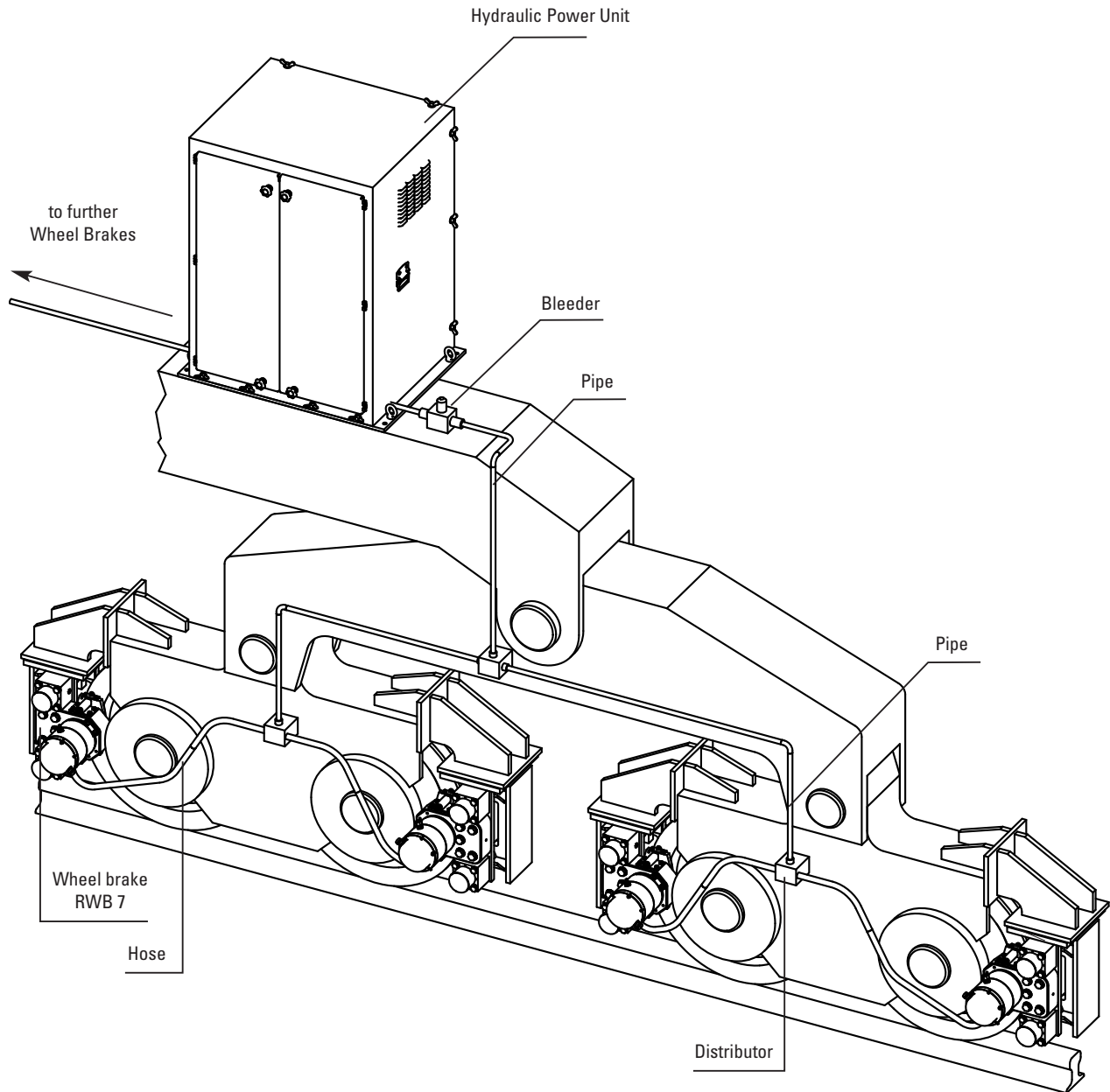


# Piping Sample

Wheel Brake RWB 7



Rev. 05-08



Attention: For operating two or more brake units with one power unit please note, that the power unit should be installed between the brakes in the centre to achieve almost equal pipe length on both sides (equal apply time of brakes).