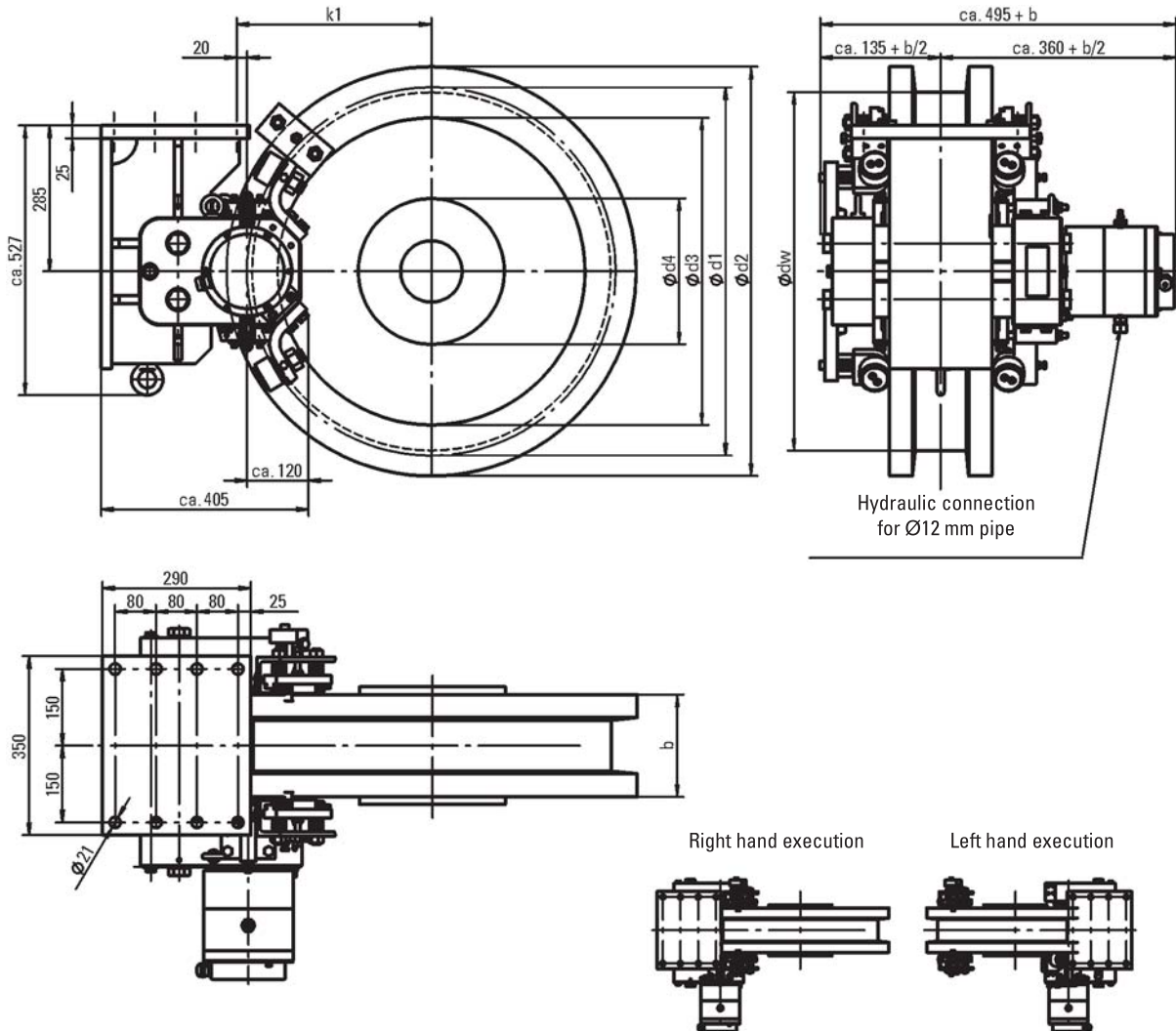


# Wheel Brake RWB 7

Dimensions and technical data



Rev. 04-12



	dw Wheel Diameter / Running Surface	min. 500   max. 1000
	d1 Median Friction Diameter	= d2 - 80
If d2 - d3 < 140 then consult PINTSCH BUBENZER!	d2 Wheel Rim Diameter outside	
	d3 Wheel Rim Diameter inside	
	d4 Max. Hub Diameter	= d2 - 350
	k1 Axial Distance	= d2/2 - 20
	Wheel Width *	min. 140   max. 210
	Contact Force per Brake Caliper half	70 kN
	Max. Braking Force	56 kN ( $\mu=0,4^{**}$ )
	Operating Pressure	100 bar
	Max. Pressure	135 bar
	Lateral Balance	$\pm 10$ mm
	Temperature Range	20°C to +50°C
	Weight	240 kg

Dimensions apply for depicted wheel type.  
For other wheel types consult PINTSCH BUBENZER!

\*) Different dimensions on request

\*\*\*) Theor. friction factor of standard material combination

All dimensions in mm  
Alterations reserved without notice