

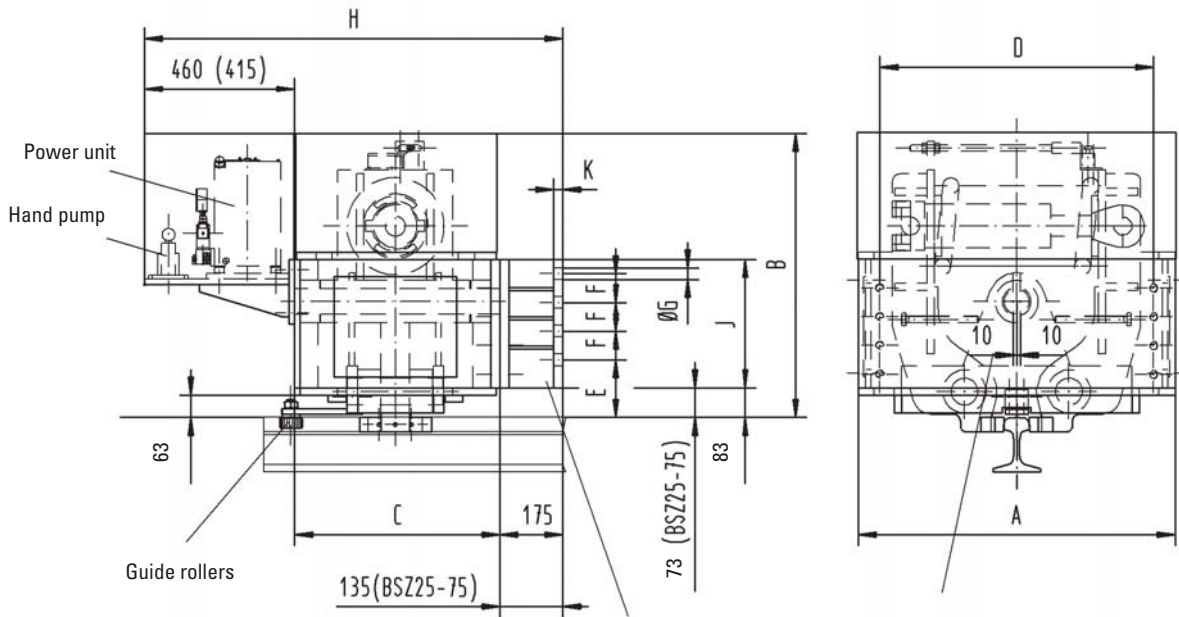
# Rail Clamp BSZ/II

Dimensions and technical data



Rev. 10-08

Connection in combination with a flange on the end face



Lateral compensation  $\pm 10$  mm

Dimensions D,E,F,G,n and J by customer data or by table

n = Quantity of fixing holes

Type	Holding force kN	All dimensions in mm Alterations reserved without notice										
		A	B	C	D	E	F	G	H	J	n	K
BSZ 25/II	25	650	745	295	500	120	105	17	820	305	6	15
BSZ 50/II	50	650	745	295	500	120	105	21	820	305	6	20
BSZ 75/II	75	650	745	295	500	120	105	21	820	305	6	20
BSZ 80/II	80	690	755	470	500	133	100	21	1060	415	8	25
BSZ 100/II	100	690	755	470	500	133	100	26	1060	415	8	25
BSZ 120/II	120	690	755	470	500	133	100	26	1060	415	8	25
BSZ 140/II	140	690	755	470	500	133	100	30	1060	415	8	25
BSZ 150/II	150	880	790	575	800	120	90	30	1170	358	8	25
BSZ 200/II	200	880	790	575	800	120	90	33	1210	358	8	25
BSZ 250/II	250	880	790	575	800	120	90	33	1210	358	8	25
BSZ 300/II	300	880	790	575	800	120	90	33	1210	358	8	25
BSZ 400/II	400	880	790	575	800	120	90	33	1210	358	8	25