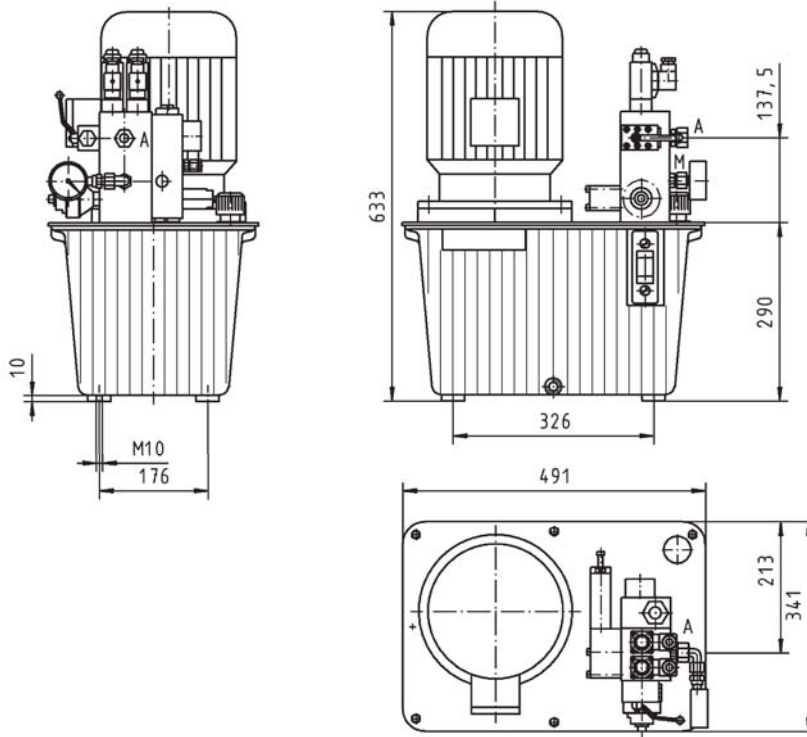


# Band Brake Type BHB

Hydraulic power unit for one or more brakes



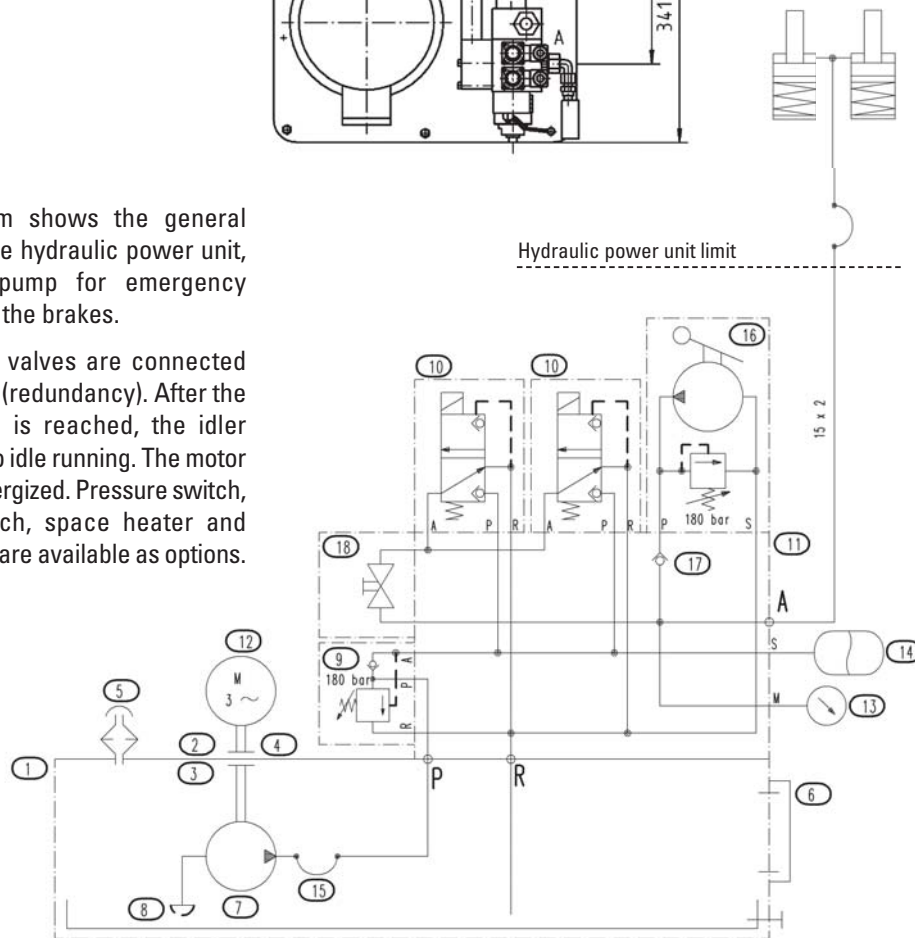
Rev. 09-02



Example:	
Motor:	3 kW
Pump:	9 l/min
Pressure:	180 bar
Tank:	30 l

The flow diagram shows the general arrangement of the hydraulic power unit, including hand pump for emergency manual release of the brakes.

The two solenoid valves are connected directly in parallel (redundancy). After the nominal pressure is reached, the idler valve switches into idle running. The motor is continuously energized. Pressure switch, temperature switch, space heater and other accessories are available as options.



All dimensions in mm  
Alterations reserved without notice



We supply a complete hydraulic and electric diagram according to the order specification with every order.