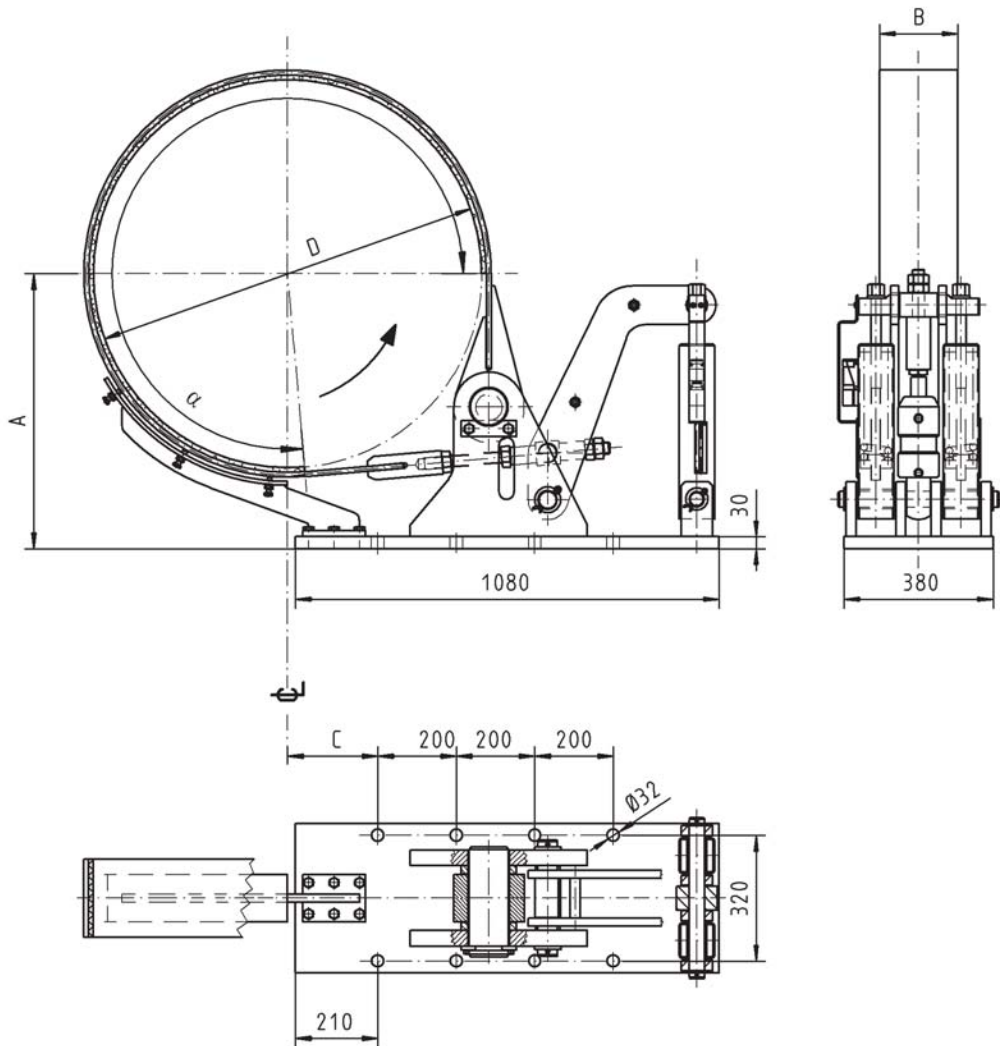


Band Brake Type BHB

Dimensions and technical data



Rev. 11-04



Other diameters and release by thruster upon request.

*) Average friction factor of standard material combination

All dimensions in mm
Alterations reserved without notice

Brake type	A	D	C	E	M_{Br} (kNm) $\mu=0,4^*$	Band width (B)
BHB 990-80/60	700	990	20	230	min. 60	
					<100	120
					<160	160
					max. 203	200
BHB 1110-80/60	760	1110	80	290	min. 70	
					<140	120
					<180	160
					max. 230	200
BHB 1240-80/60	825	1240	145	355	min. 60	
					<160	120
					<200	160
					max. 253	200
BHB 790-80/60 (Wrap angle 265° !)	600	790	-30	180	min. 60	120
					<100	160
					max. 130	200