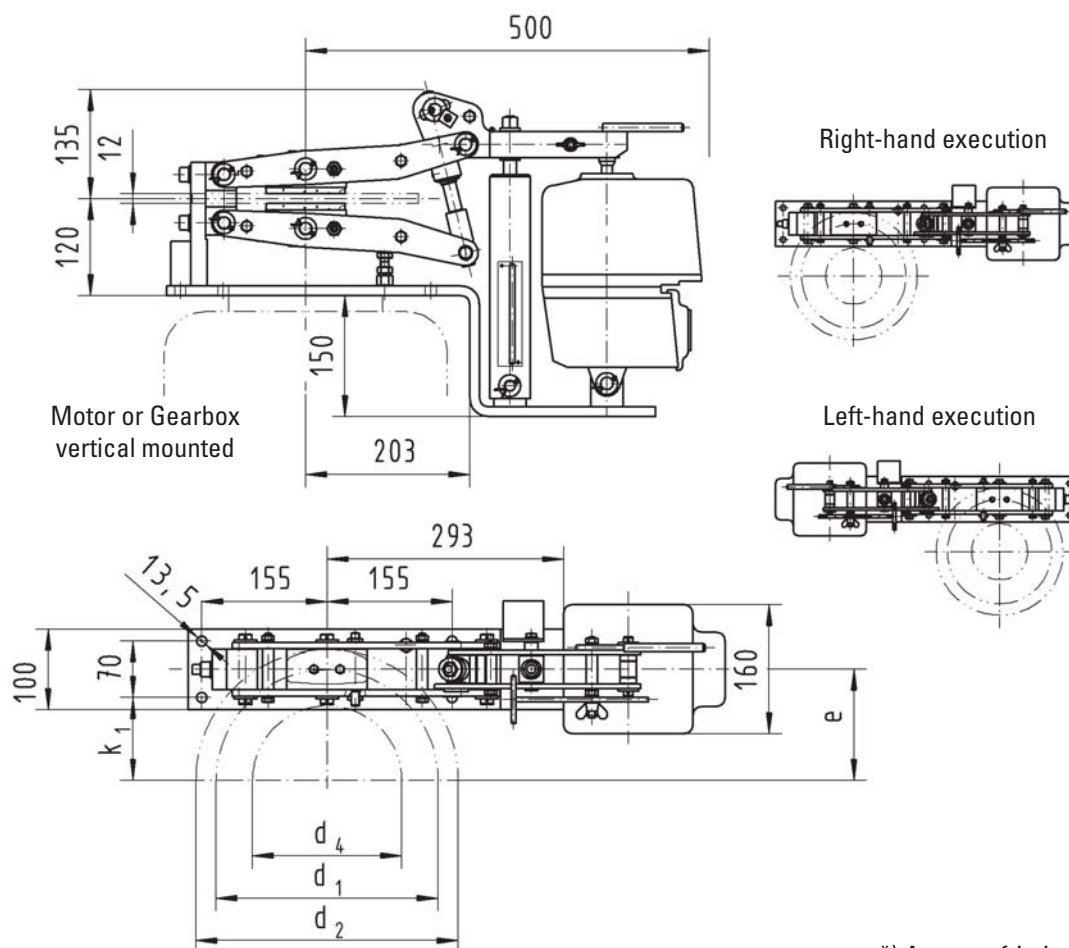


Disc Brake SB 22

Dimensions and technical data



Rev. 12-06



*) Average friction factor of standard material combination

For crane brake layout use safety factors documented in the FEM 1.001, Section 1

All dimensions in mm
Alterations reserved without notice

Weight: 35 kg w/o thruster		Thruster type			Ed 23/5	Ed 23/5bb
		Contact force in N			2450	3150
Disc Ø	Friction Ø				Brake torque M _{Br} in Nm	Friction factor μ = 0,4*
d ₂	d ₁	d ₄	e	k ₁		
200	150	60	75	40	145	190
225	175	85	88	53	170	220
250	200	110	100	65	200	250
280	230	140	115	80	225	290
315	265	175	133	98	260	335
355	305	215	153	118	300	385
400	350	260	175	140	345	440
450	400	310	200	165	390	500
500	450	360	225	190	440	565