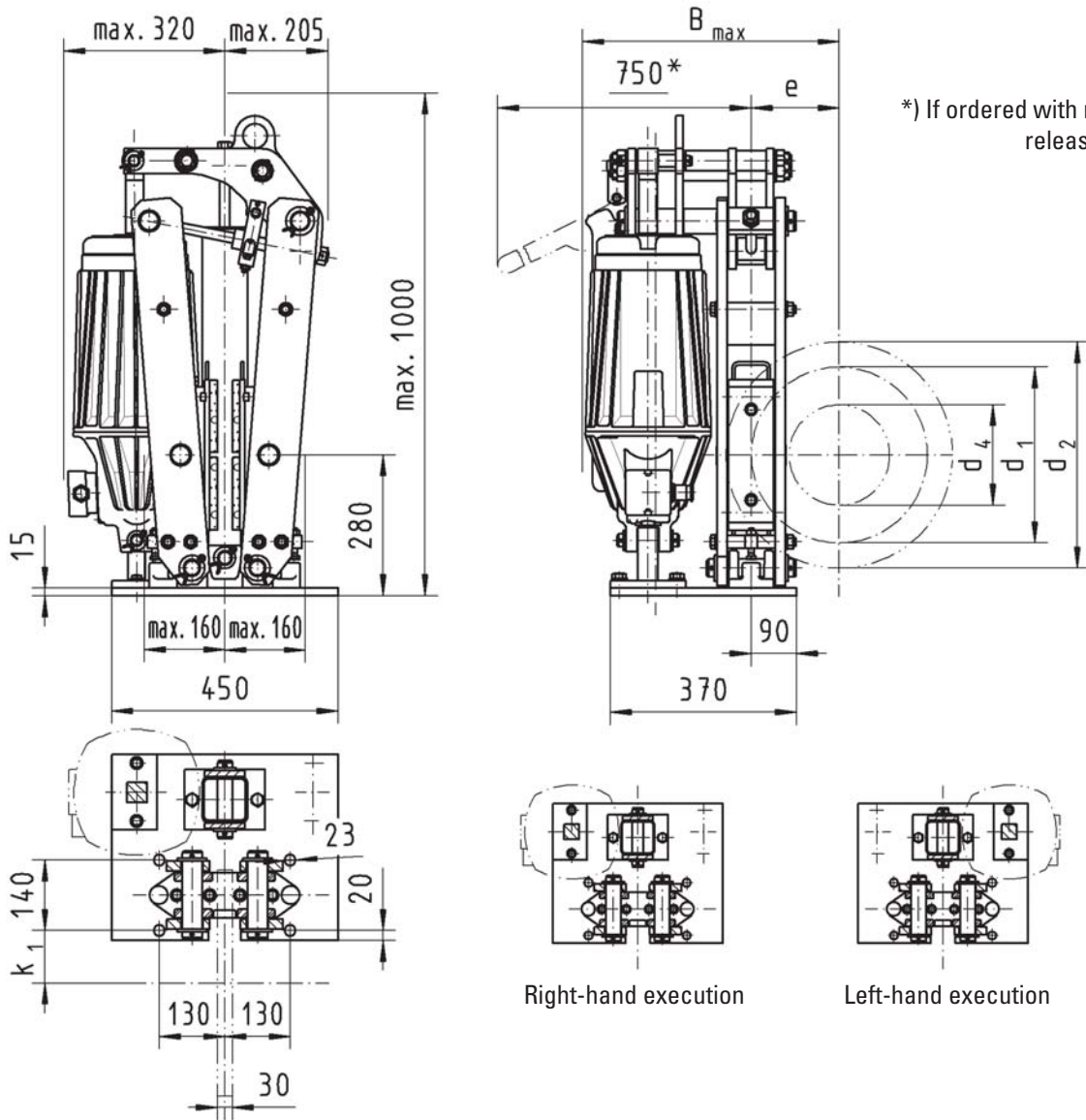


Disc Brake SB 8.2

Dimensions and technical data



Rev. 12-06



*) Average friction factor of standard material combination

For crane brake layout use safety factors documented in the FEM 1.001, Section 1

All dimensions in mm
Alterations reserved without notice

Weight: 180 kg w/o thruster		Thruster type				EB 500/60	EB 800/60	EB 1250/60	EB 2000/60
		Contact force in N				EB 500/120	EB 800/120	EB 1250/120	EB 2000/120
Disc Ø	Friction Ø					Brake torque M_{Br} in Nm		Friction factor $\mu = 0,4^*$	
d_2	d_1	d_4	e	k_1	B_{max}				
450	350	200	175	105	510	1580	2560	3430	4690
500	400	250	200	130	535	1810	2930	3920	5360
560	460	310	230	160	565	2080	3370	4510	6160
630	530	380	265	195	600	2395	3880	5190	7100
710	610	460	305	235	640	2760	4465	5980	8175