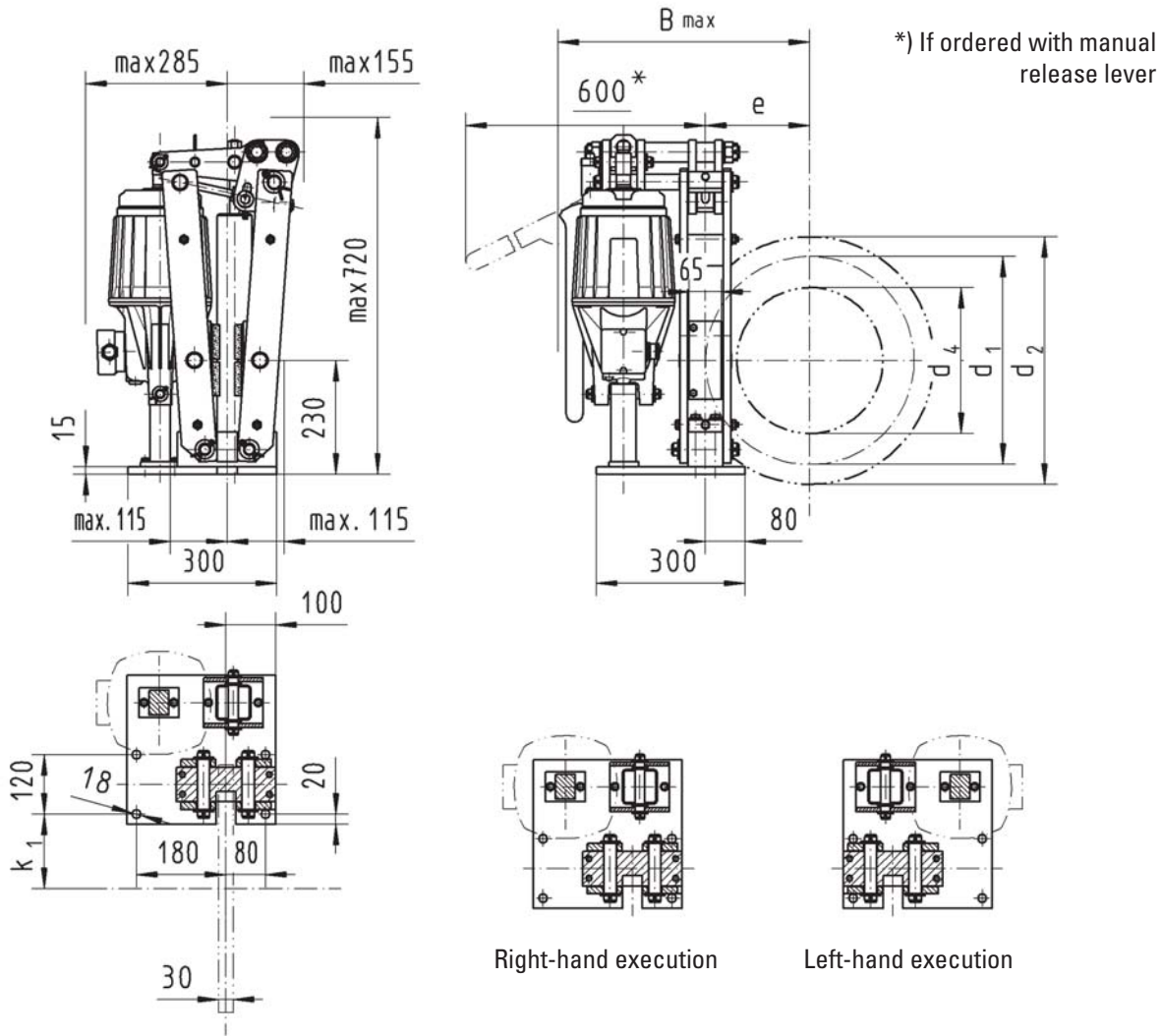


Disc Brake SB 8.1

Dimensions and technical data



Rev. 01-08



*) Average friction factor of standard material combination

For crane brake layout use safety factors documented in the FEM 1.001, Section 1

All dimensions in mm
Alterations reserved without notice

Weight: 78 kg w/o thruster		Thruster type				EB 300/50	EB 500/60 EB 500/120	EB 800/60 EB 800/120
		Contact force in N				5950	10700	16950
Disc Ø	Friction Ø					Brake torque M_{Br} in Nm		Friction factor $\mu = 0,4^*$
d_2	d_1	d_4	e	k_1	B_{max}			
355	275	160	138	78	430	655	1180	1860
400	320	205	160	100	457	760	1370	2160
450	370	255	185	125	482	880	1580	2500
500	420	305	210	150	507	1000	1800	2840
560	480	365	240	180	537	1140	2050	3250