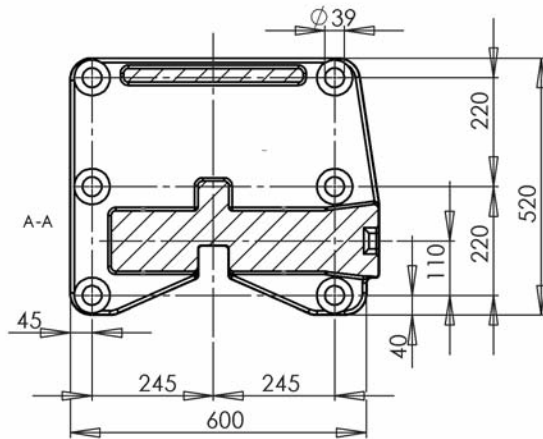
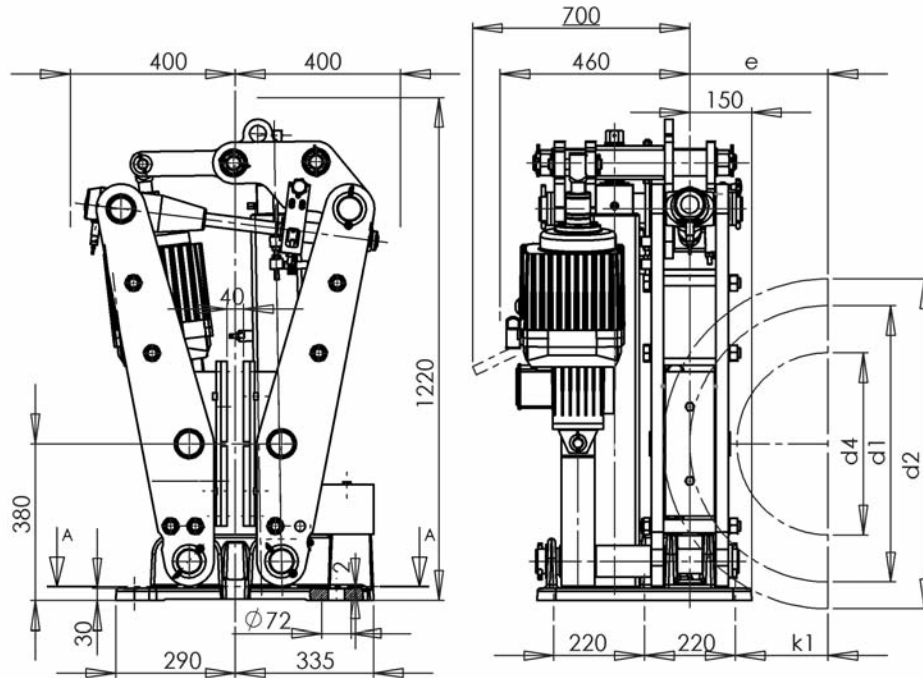


Disc Brake SB 38

Dimensions and technical data



Rev. 12-06



1) If ordered with manual release lever

*) Average friction factor of standard material combination

For crane brake layout use safety factors documented in the FEM 1.001, Section 1

All dimensions in mm
Alterations reserved without notice

Weight: 510 kg w/o thruster		Thruster type			Ed 501/8
		Contact force in N			91000
Disc Ø	Friction Ø				Brake torque M_{Br} in Nm Friction factor $\mu = 0,4^*$
d_2	d_1	d_4	e	k_1	
710	580	350	290	180	21000
800	670	440	335	225	24500
900	770	540	385	275	28000
1000	870	640	435	325	31500
1250	1120	890	560	450	40500